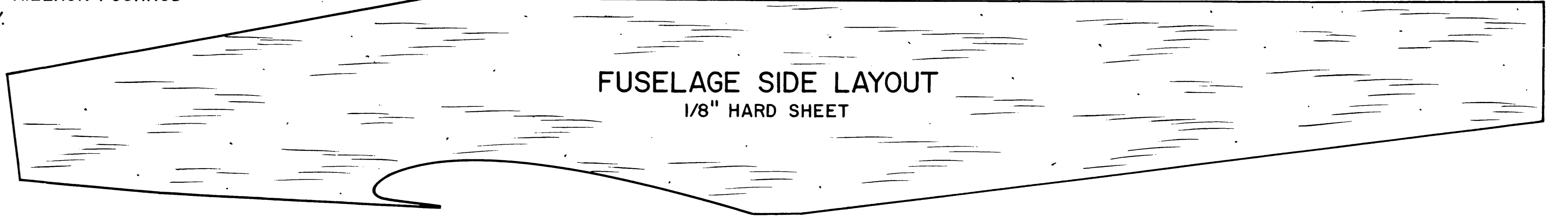


WING PLAN

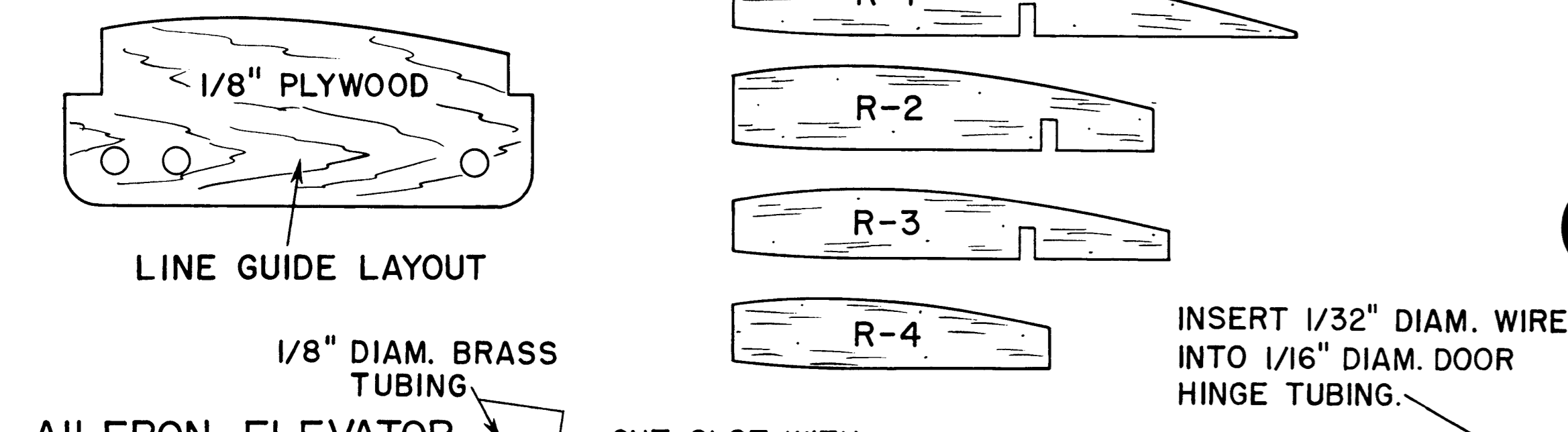
NOTE: WING IS PAINTED ALL WHITE
 1/2" x 3/4" LEADING EDGE
 CUT HERE FOR DIHEDRAL
 1/8" DIAM. BRASS TUBING LINE GUIDES
 WB-1
 WB-2
 3/16" SQ. HARDWOOD MOUNT
 REAR STRUT POSITION
 1" x 1-1/4" MOVABLE FLAPS AND AILERONS
 1/16" SHEET PLANKING TOP AND BOTTOM - TOP REMOVED FOR CLARITY.
 SOLDER WASHER TO AILERON PUSHROD
 1/16" DIAM. WIRE HINGES
 3/32" DIAM. ALUM. TUBING HINGE BEARINGS

- NOTES
 (A) USE Balsa UNLESS OTHERWISE SPECIFIED.
 (B) ALL RIBS ARE 1/8" SHEET Balsa UNLESS OTHERWISE NOTED.

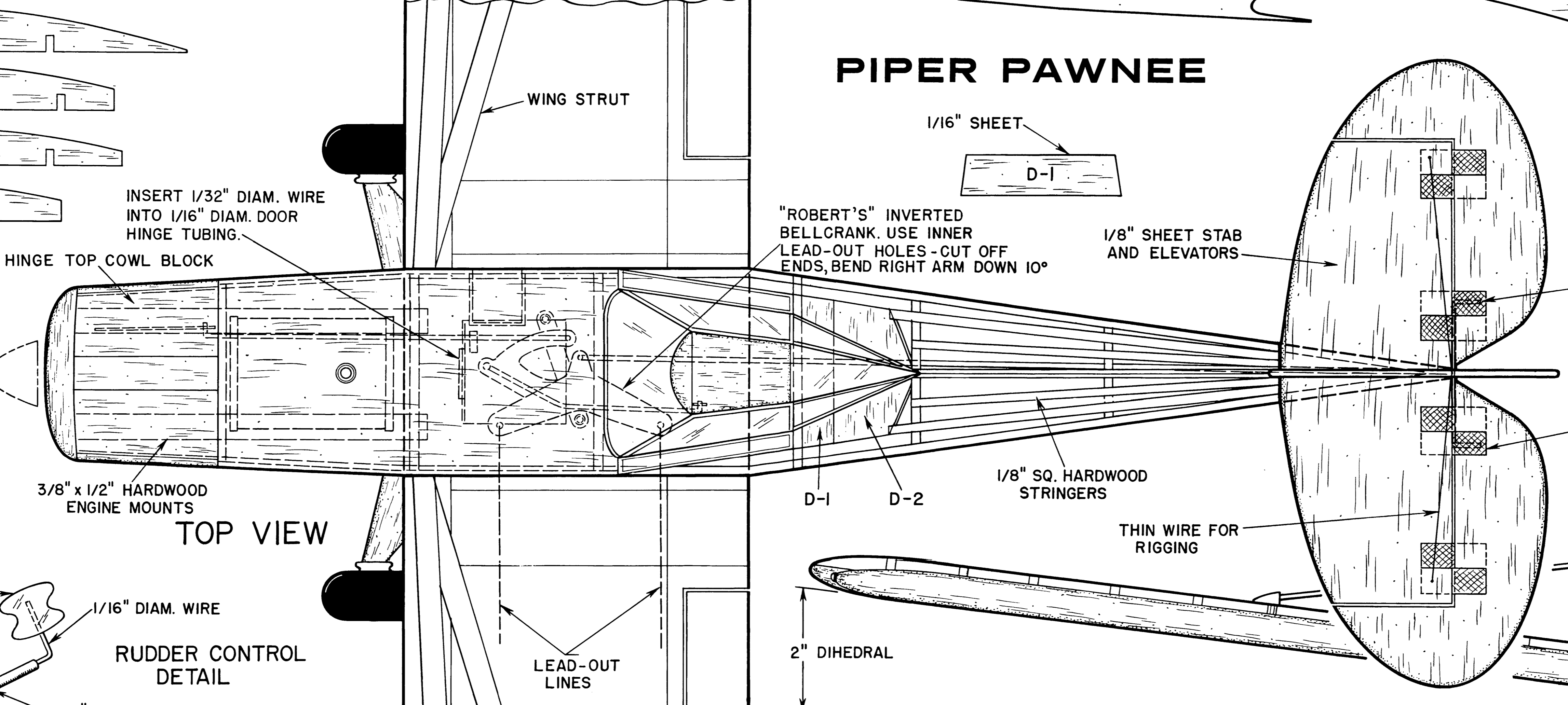


FUSELAGE SIDE LAYOUT
 1/8" HARD SHEET

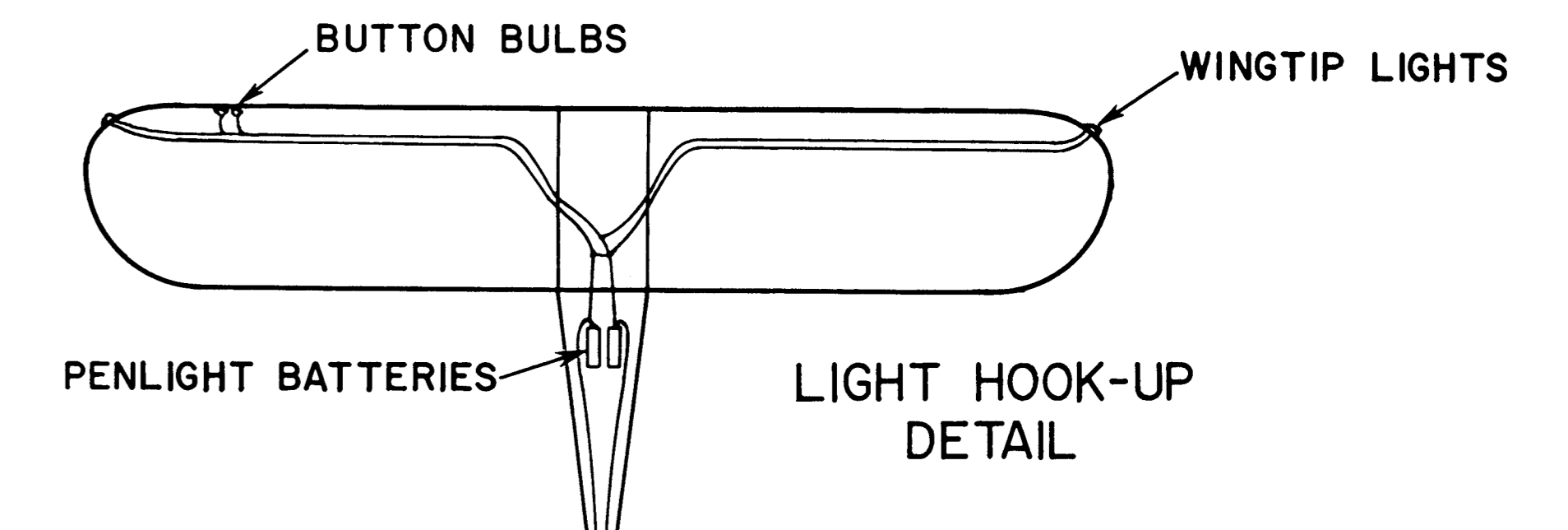
WING DETAILS



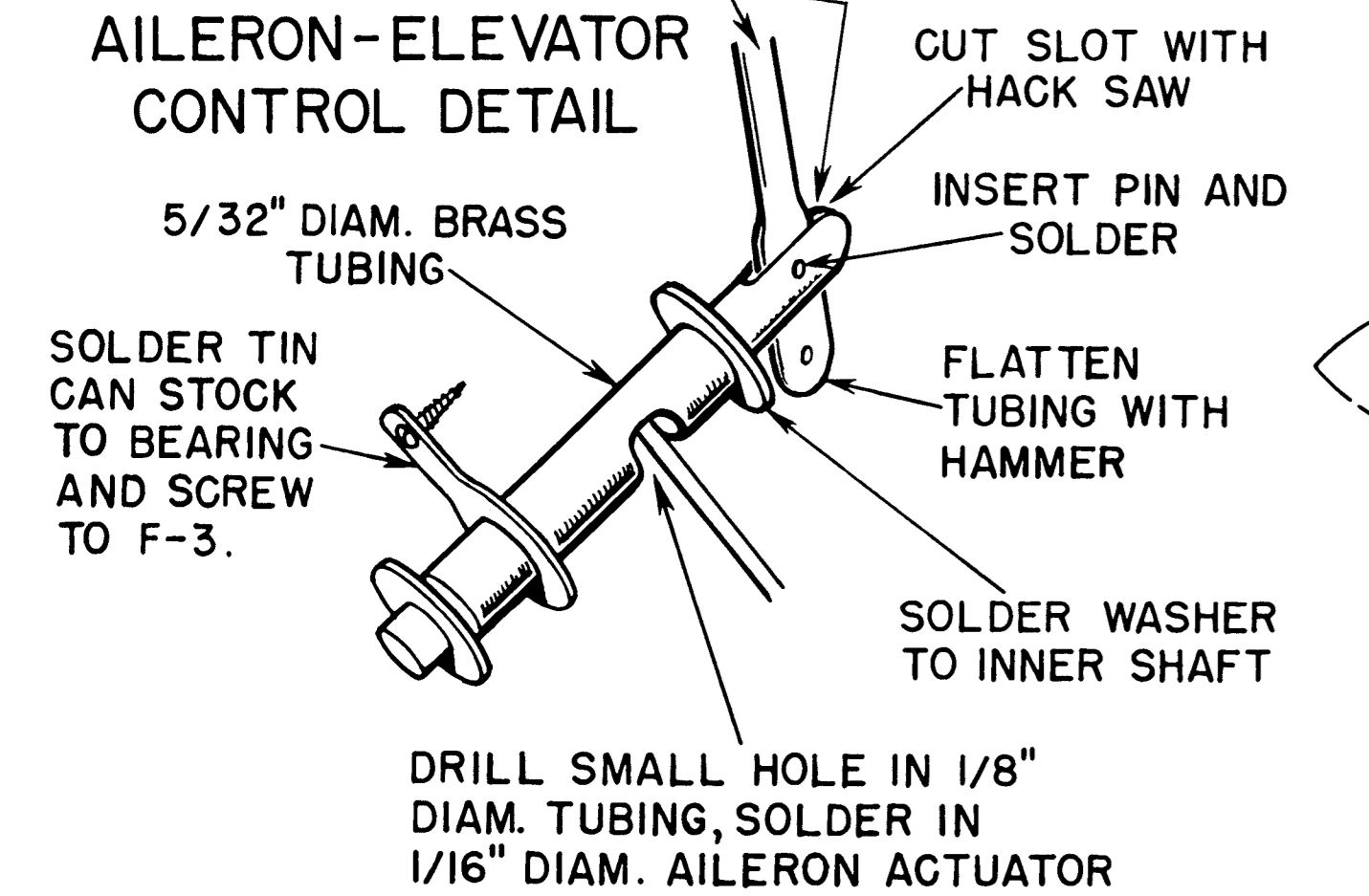
PIPER PAWNEE



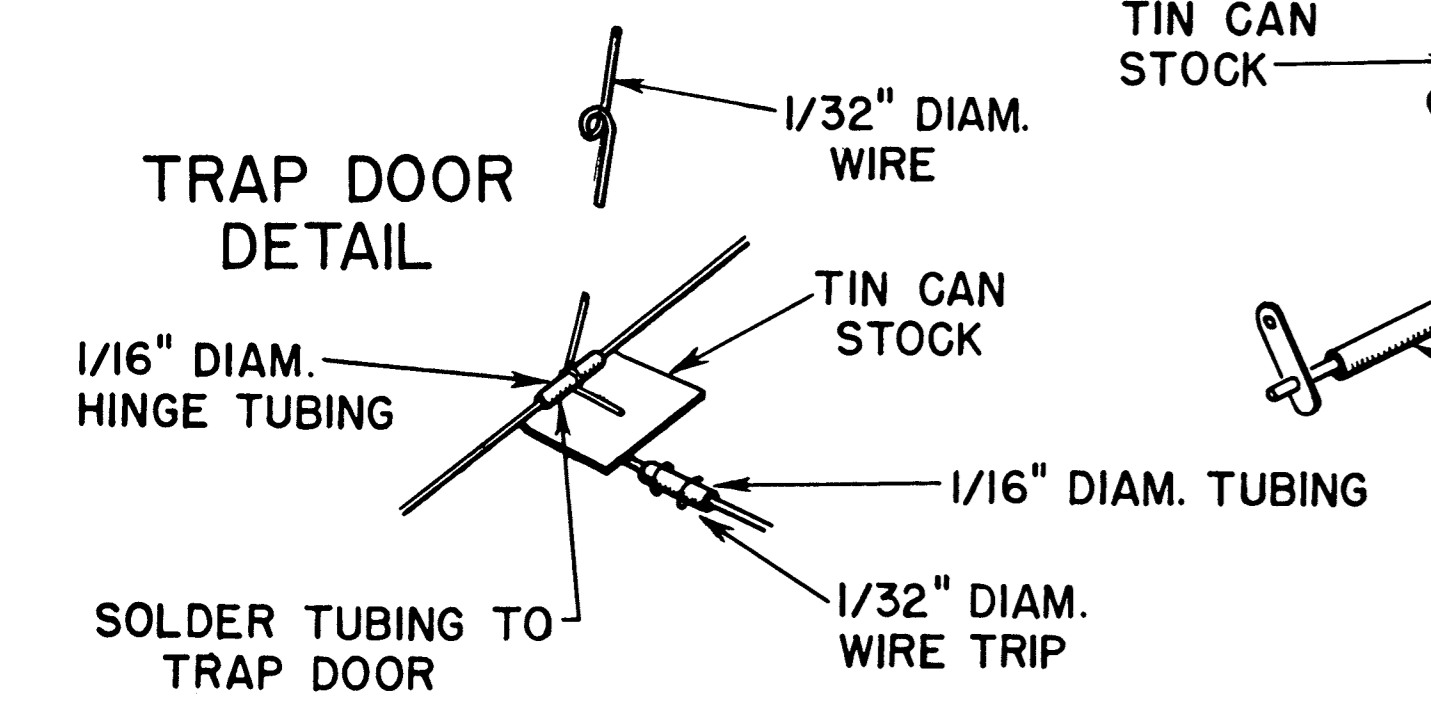
TOP VIEW



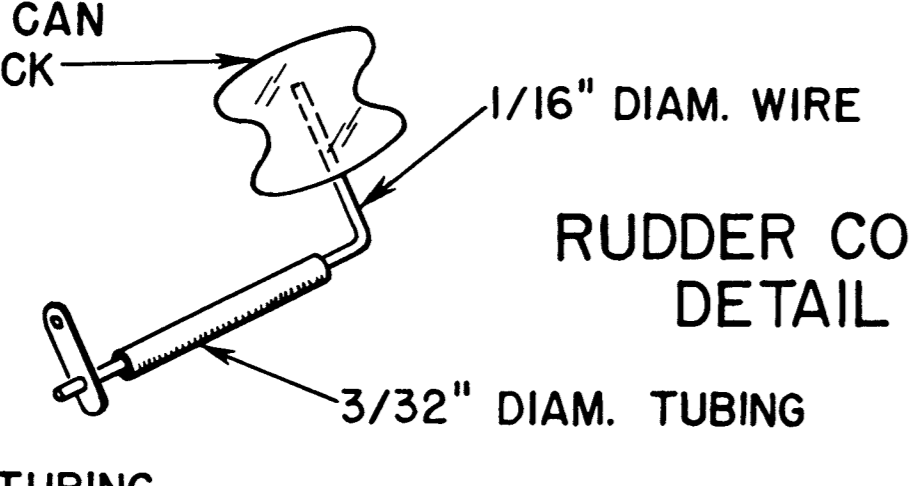
LIGHT HOOK-UP DETAIL



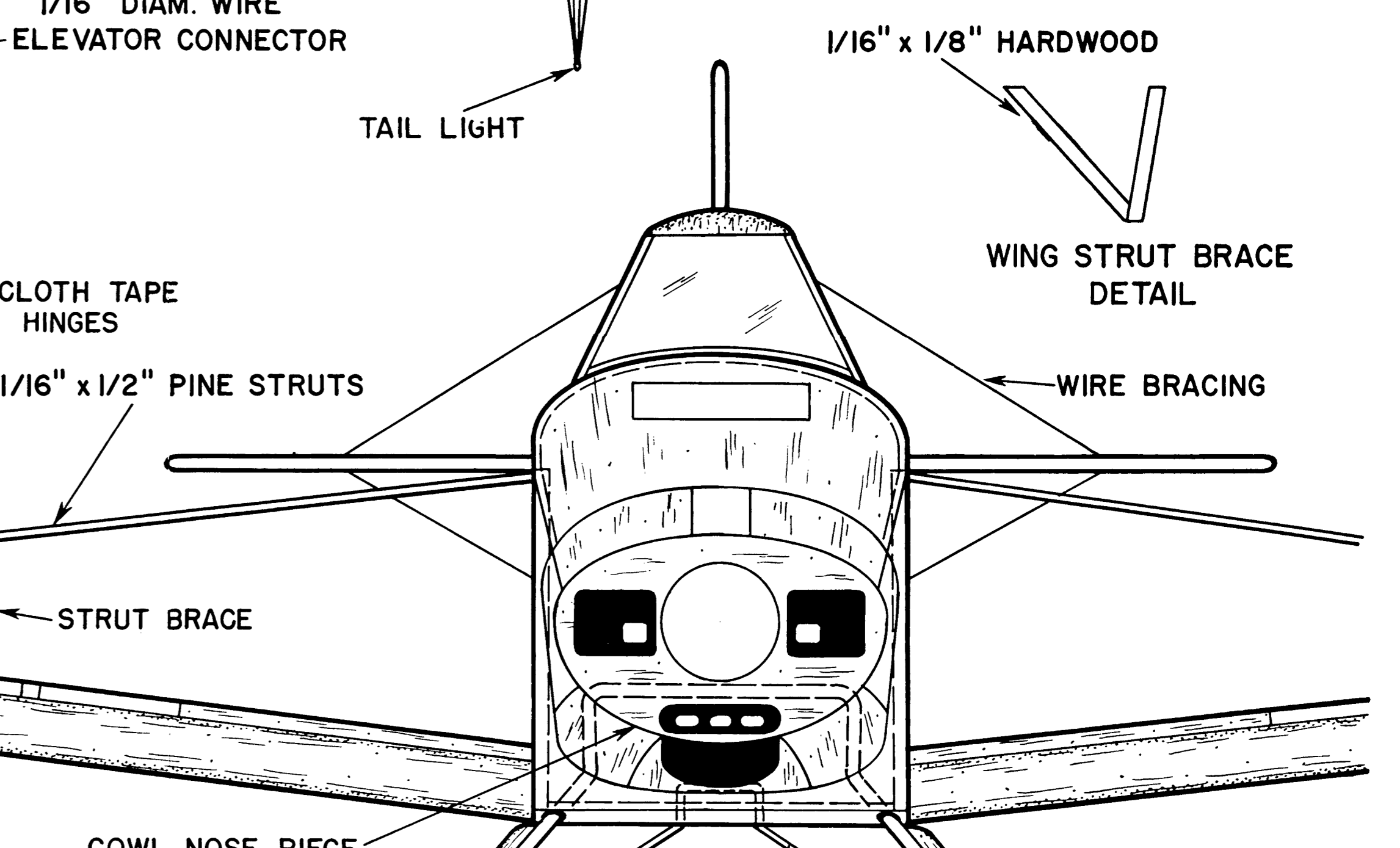
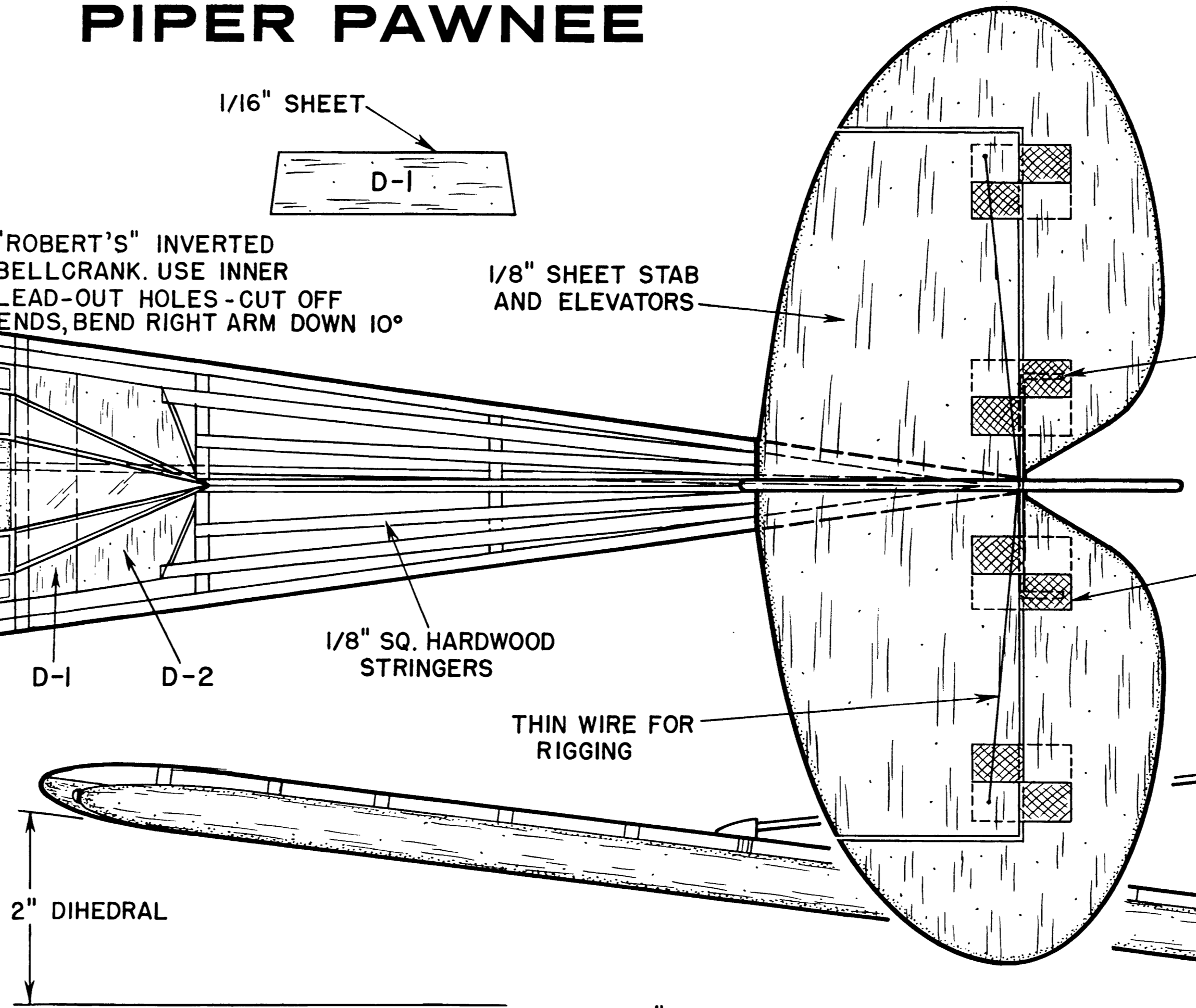
AILERON-ELEVATOR CONTROL DETAIL



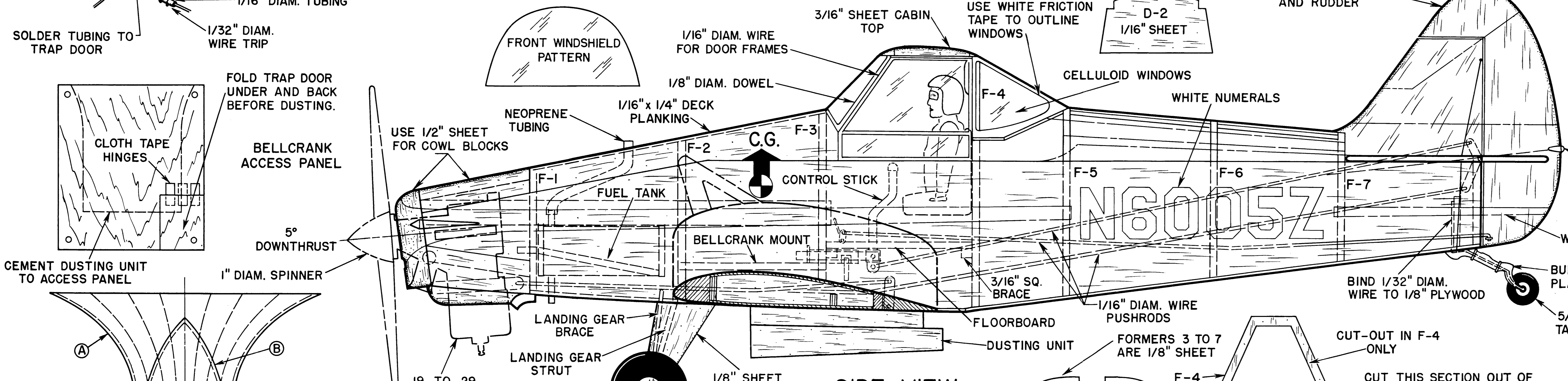
TRAP DOOR DETAIL



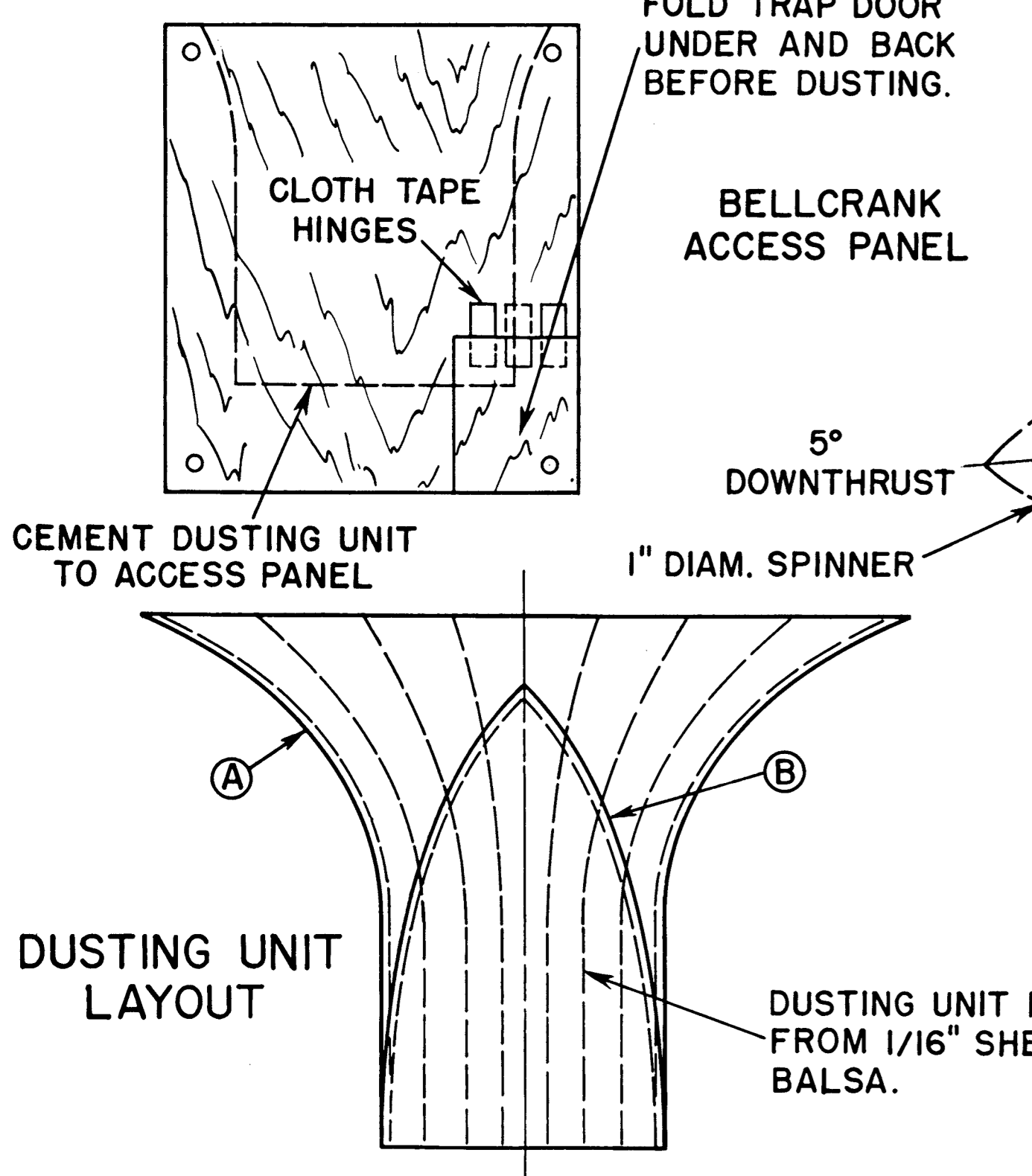
RUDDER CONTROL DETAIL



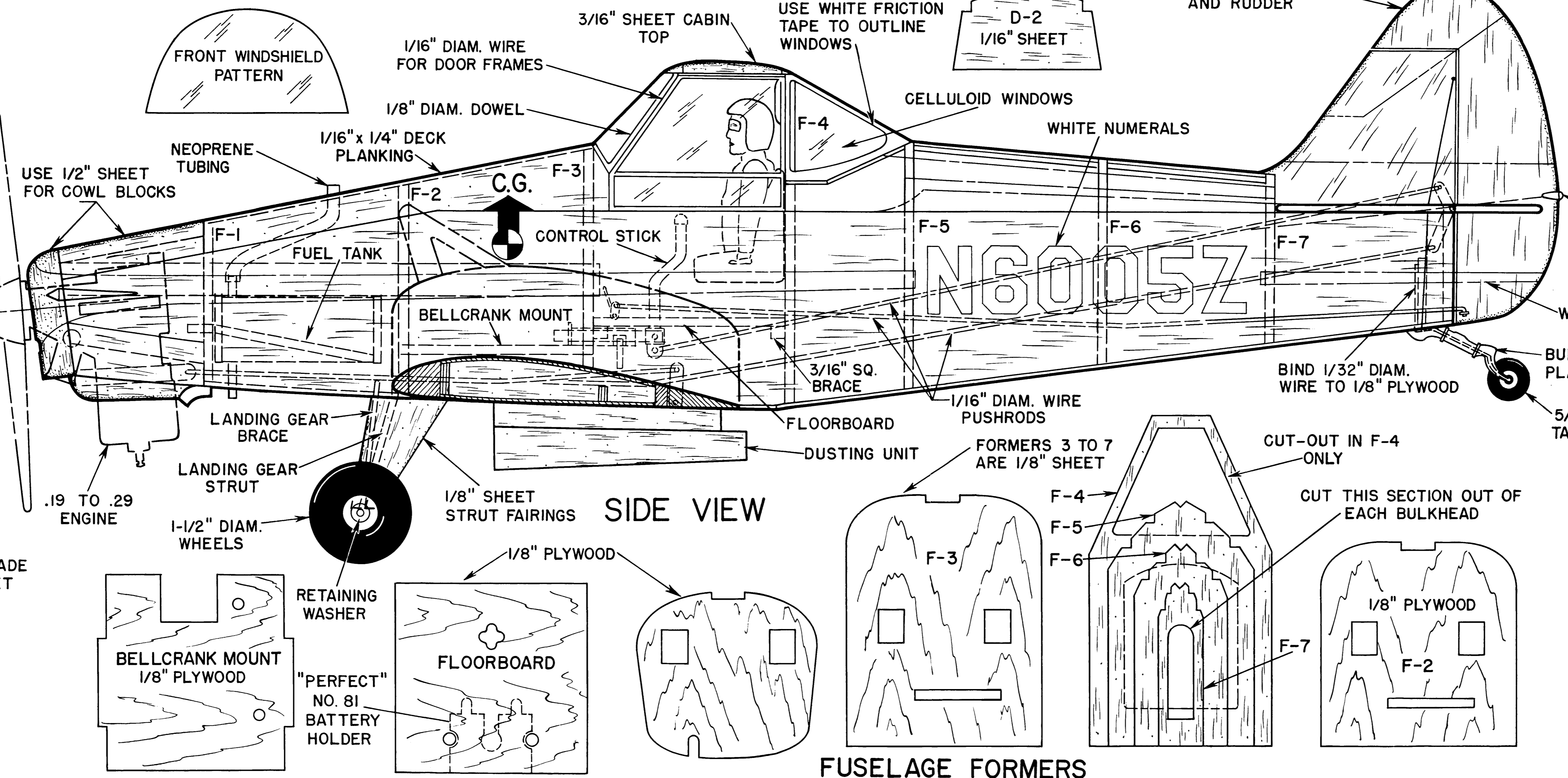
FRONT VIEW



SIDE VIEW



DUSTING UNIT LAYOUT



FUSELAGE FORMERS

DESIGNED BY: DON MOWRER

SCALE IN INCHES

