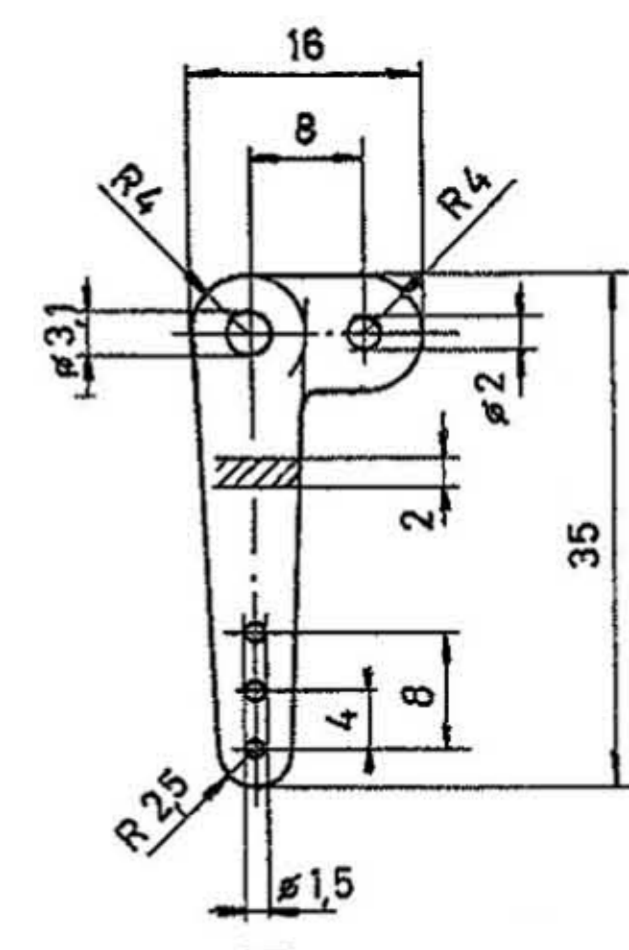
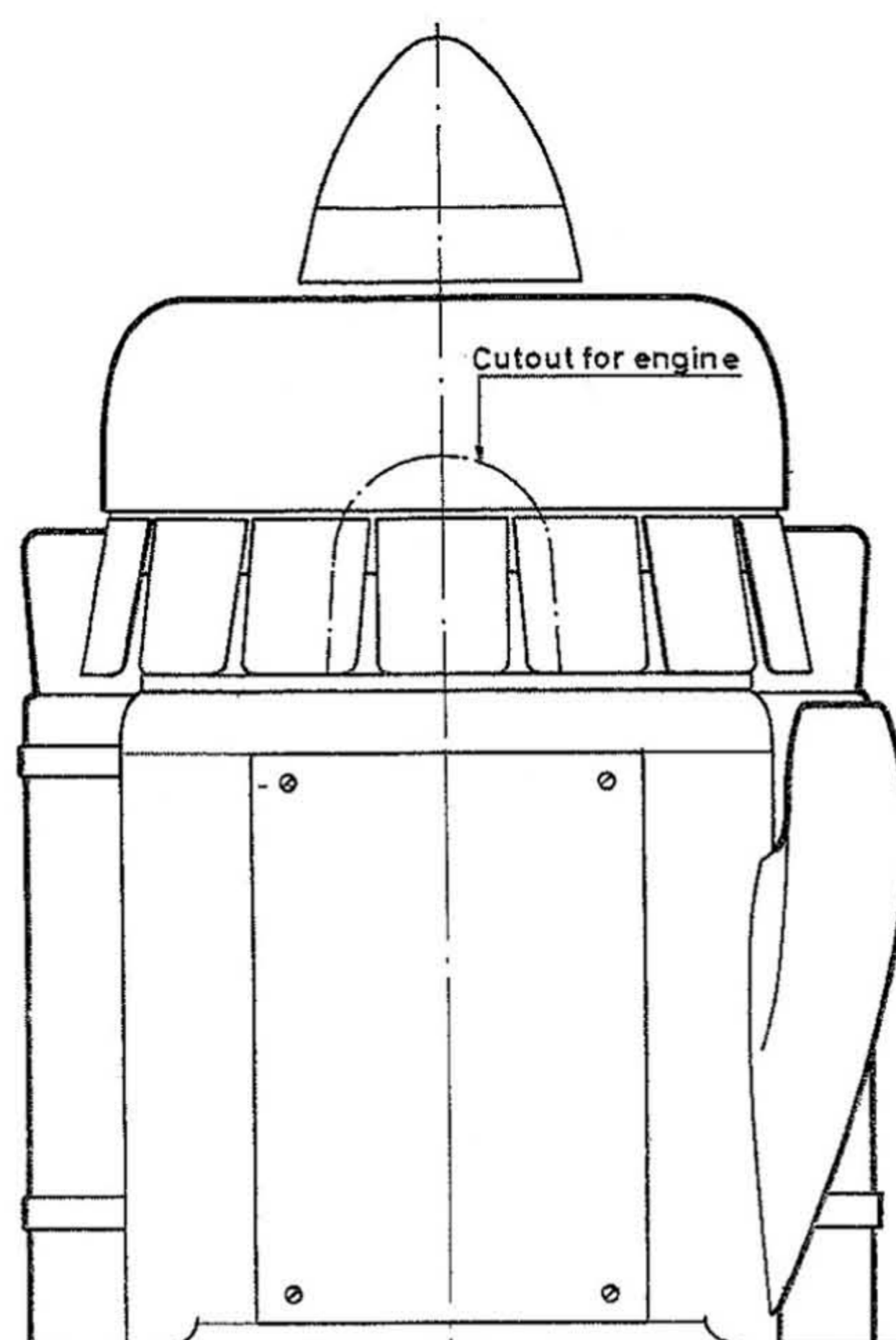
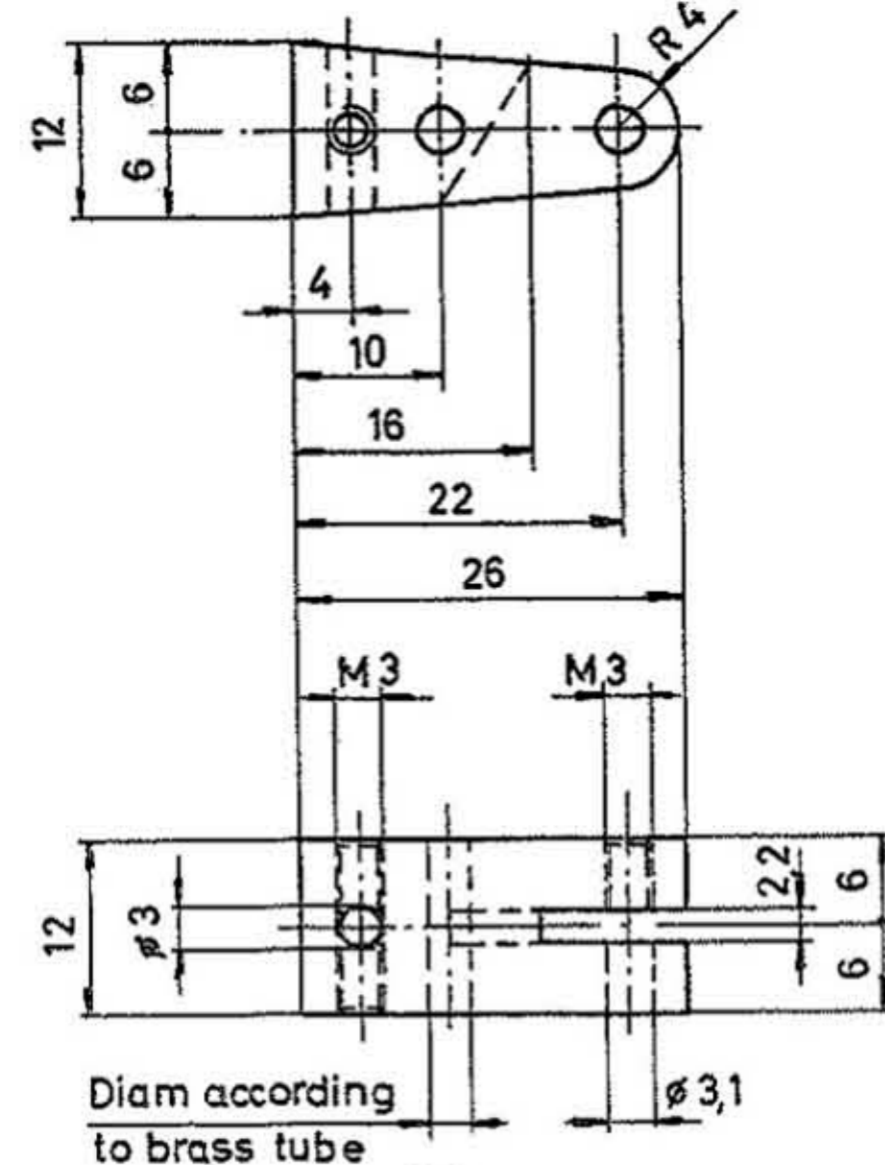


Fill space between spdrs with balsa

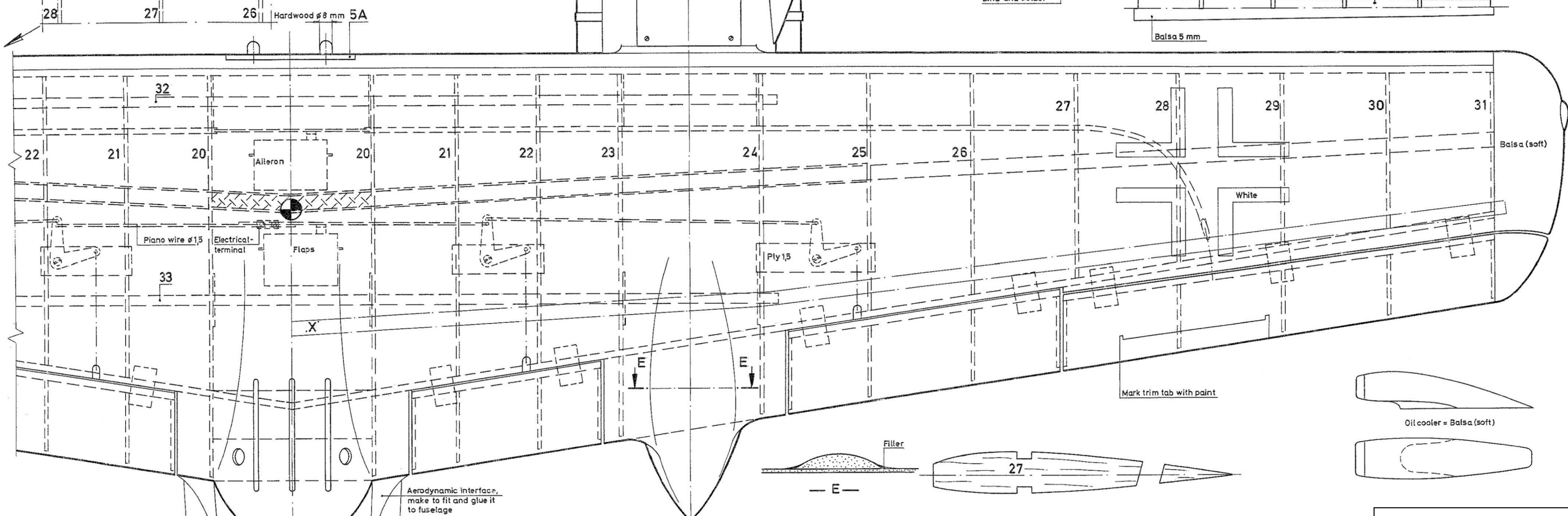
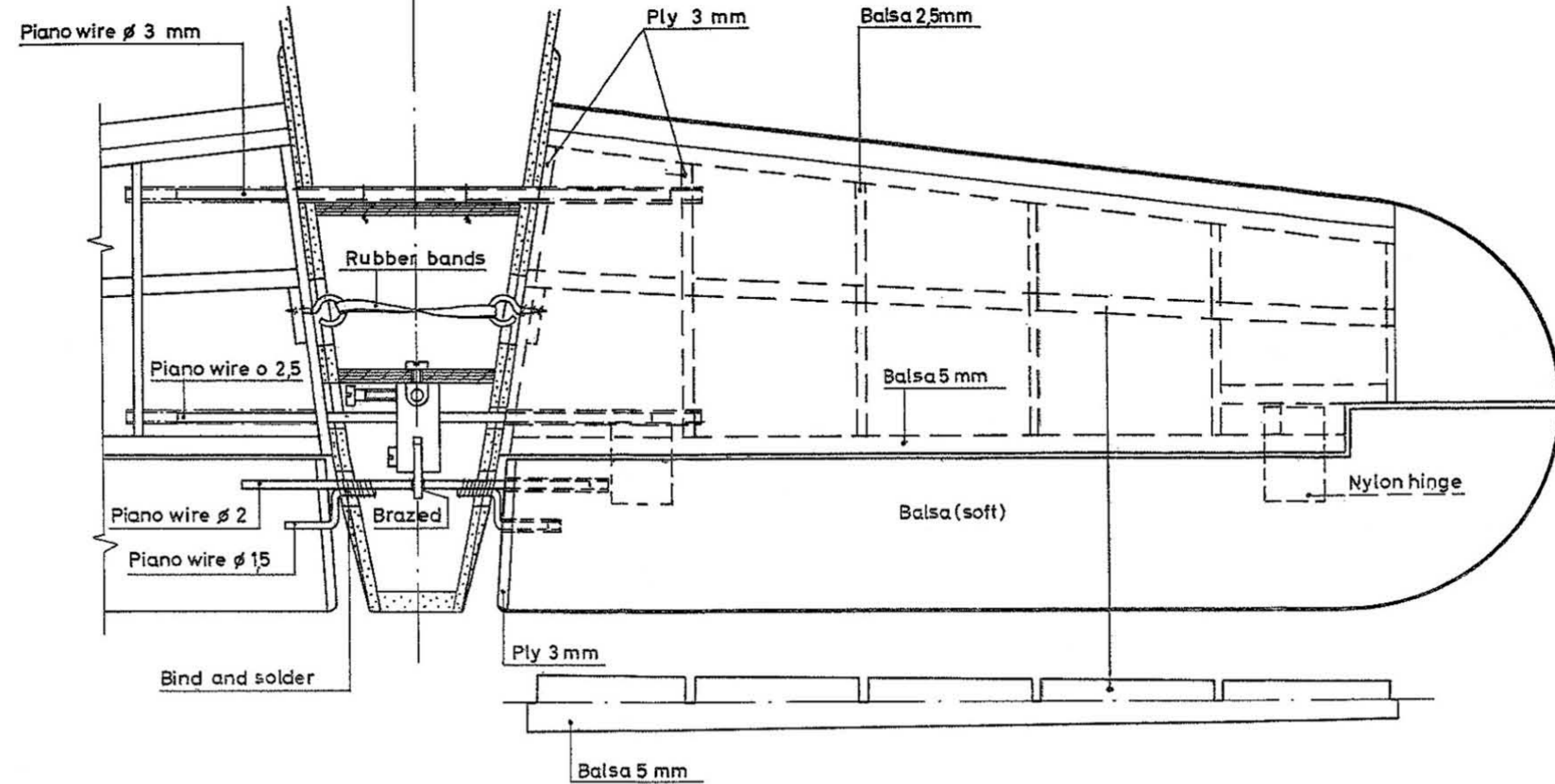
Speed indicator  
(Ball pen mine)



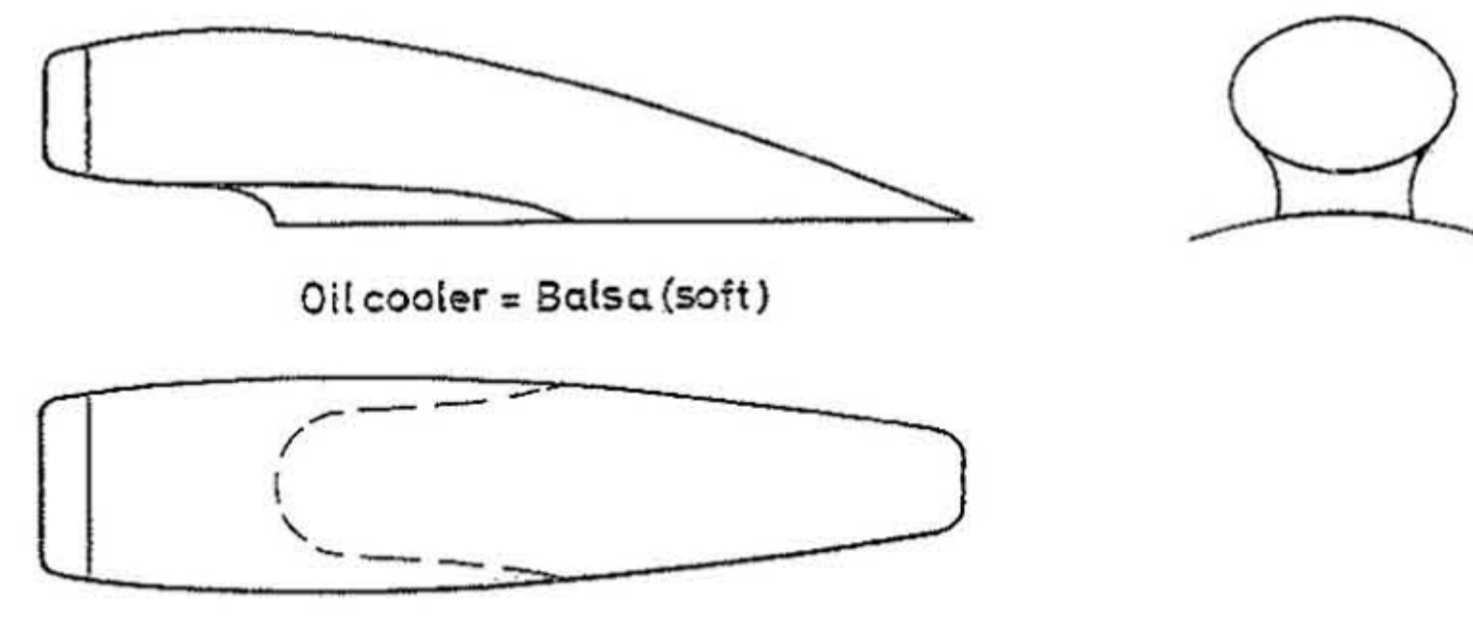
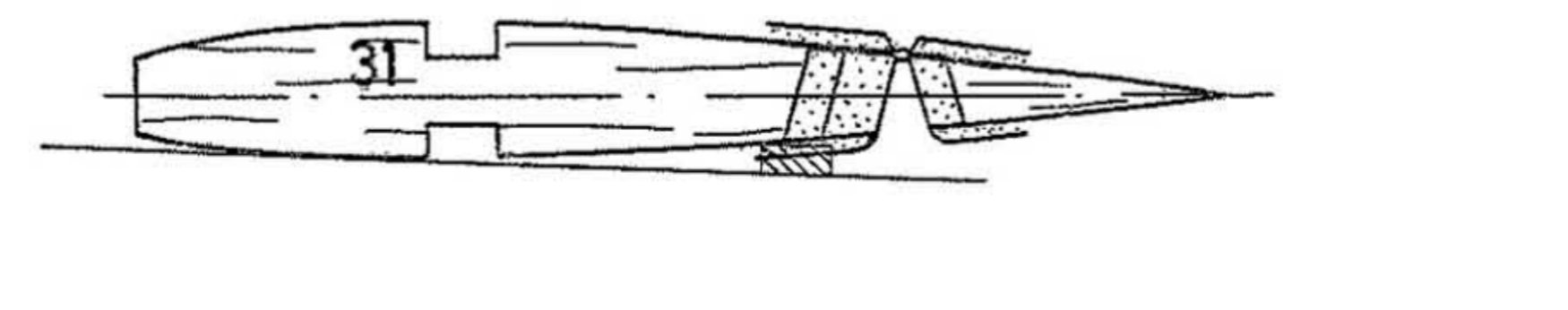
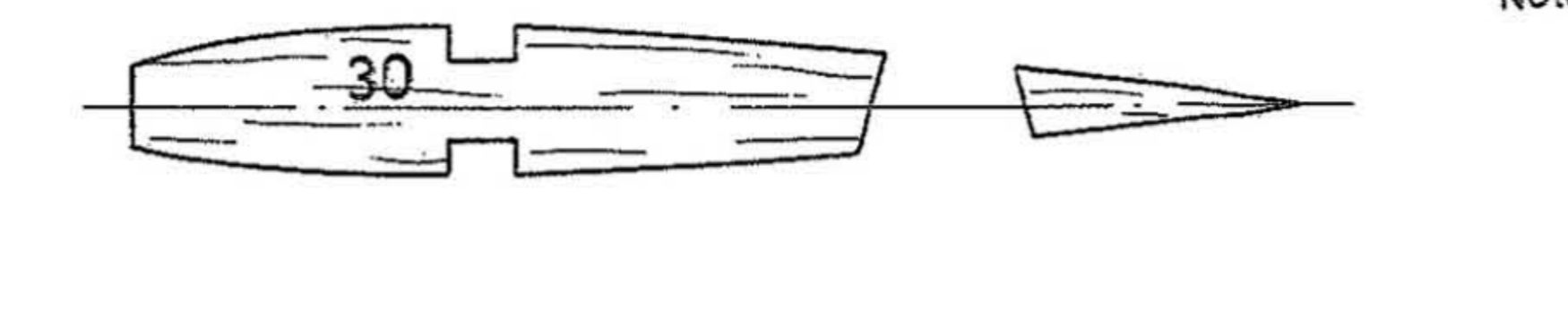
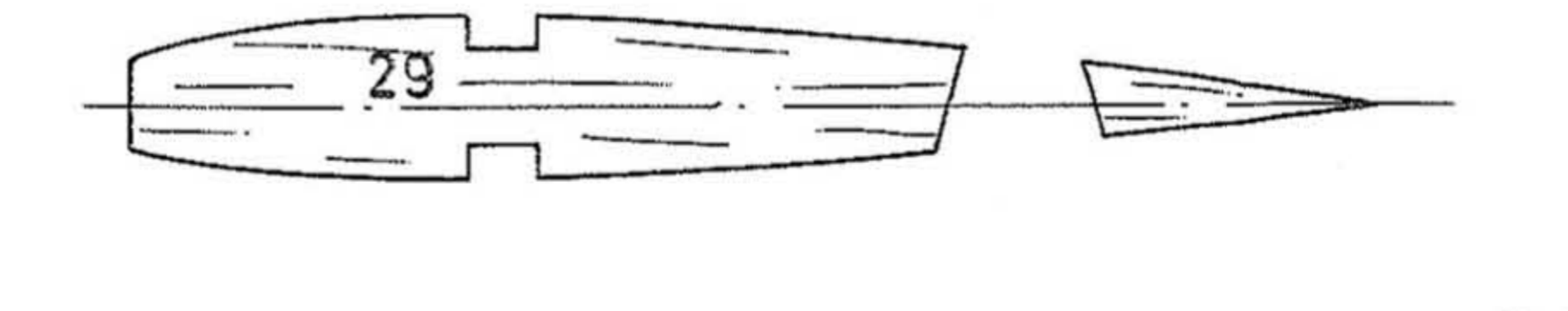
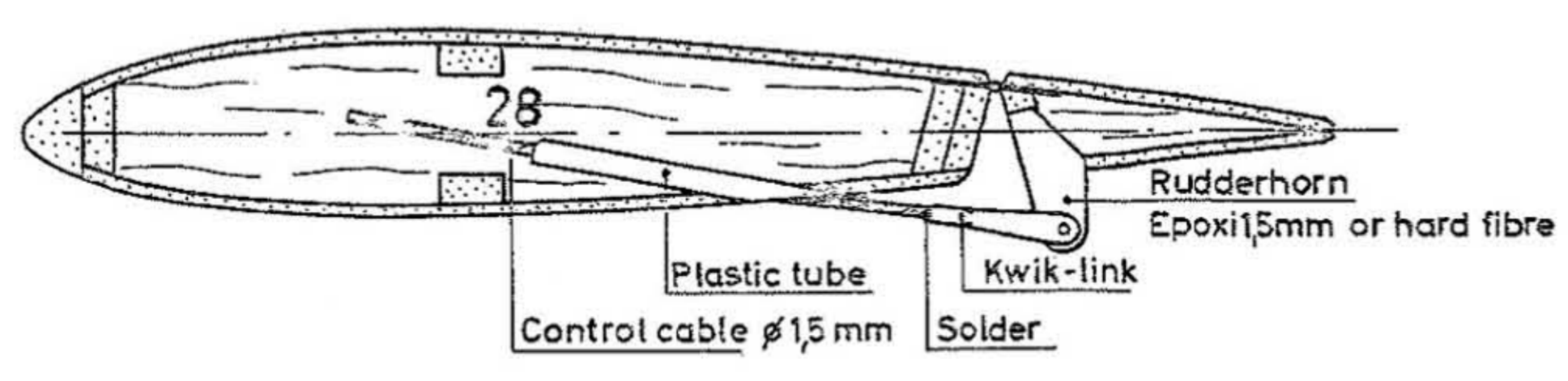
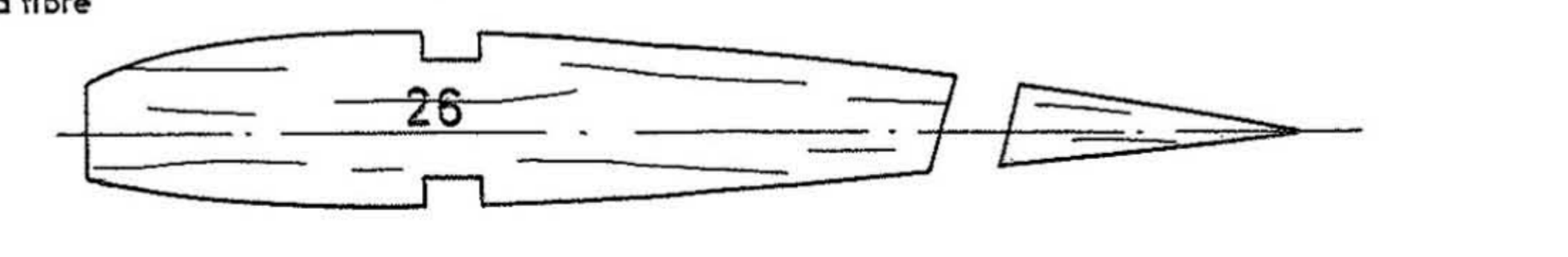
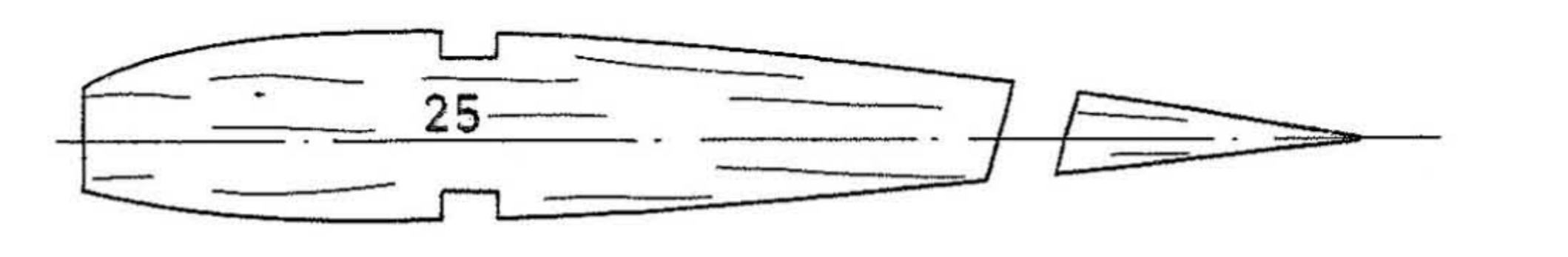
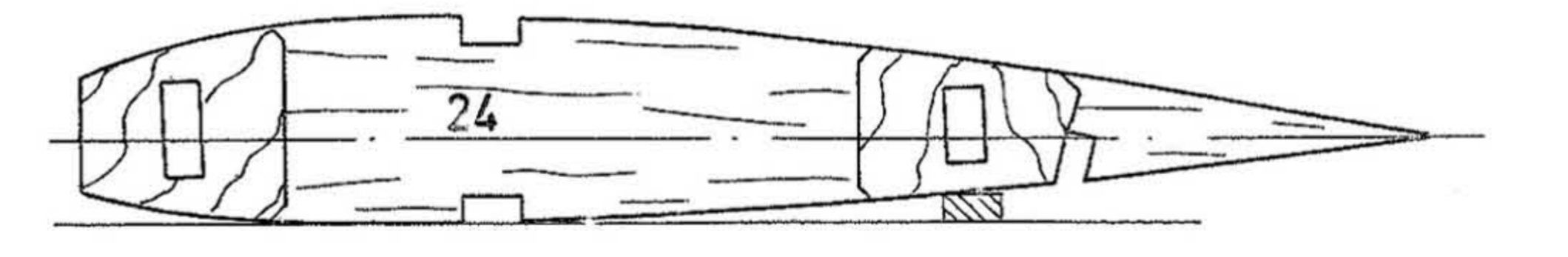
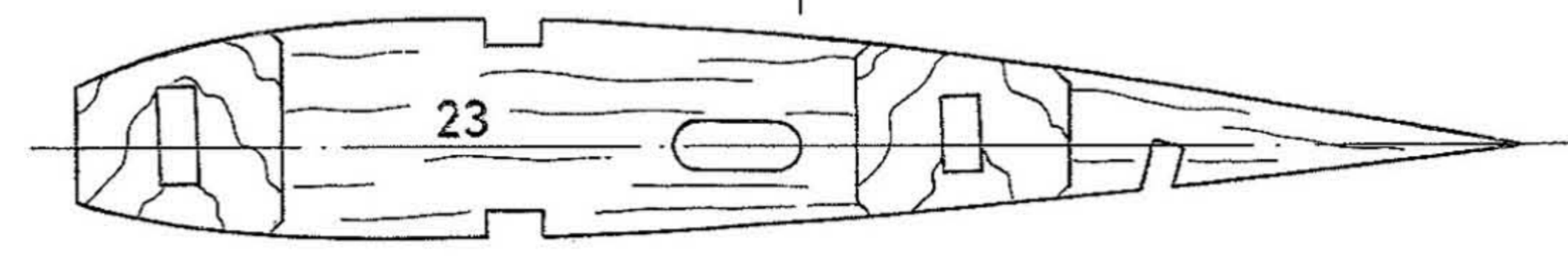
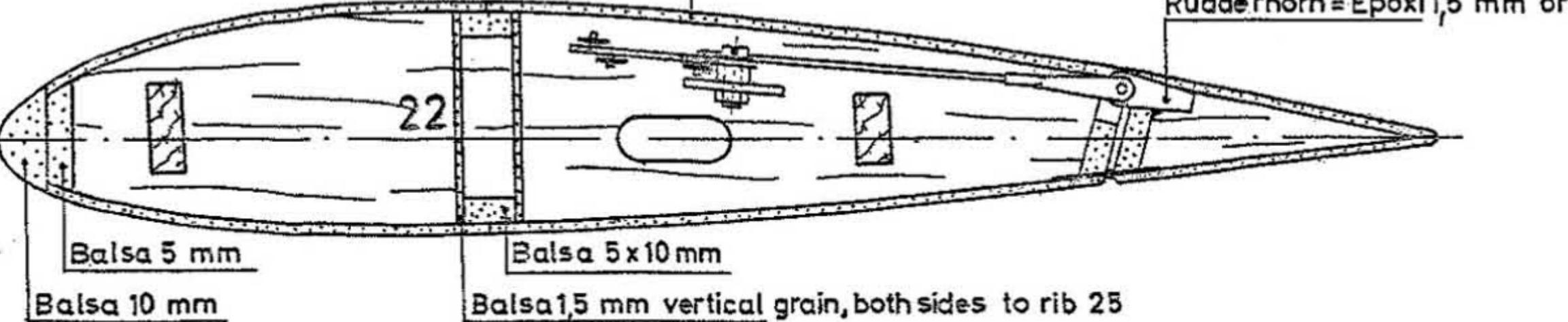
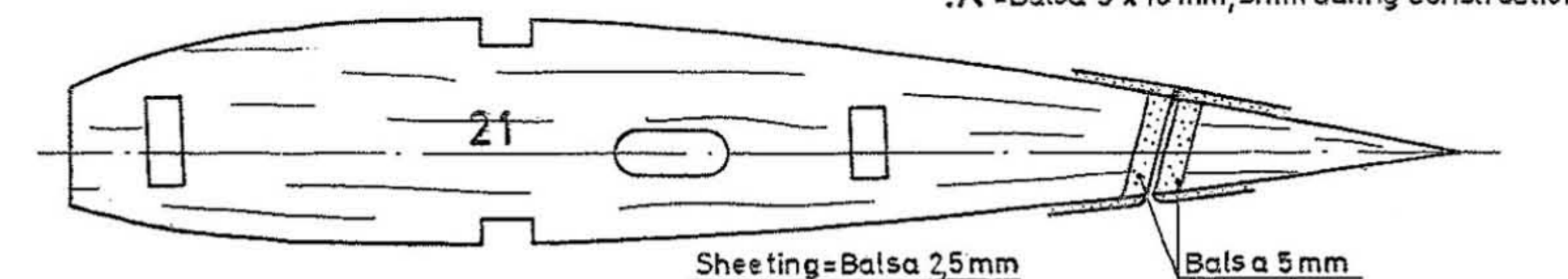
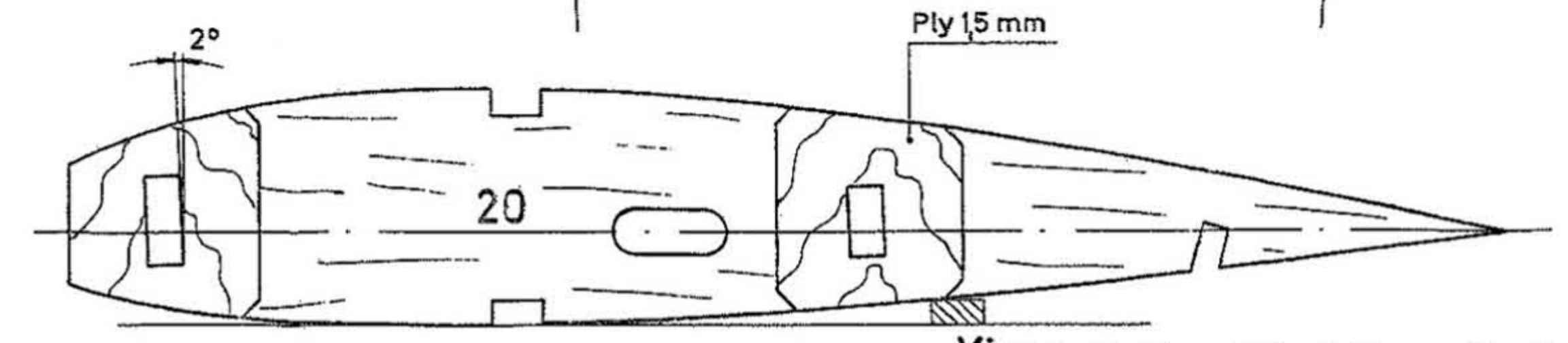
Landing lights  
Frame: cardboard  
Reflector: Alum. 0.2 mm  
Flashlight bulbs



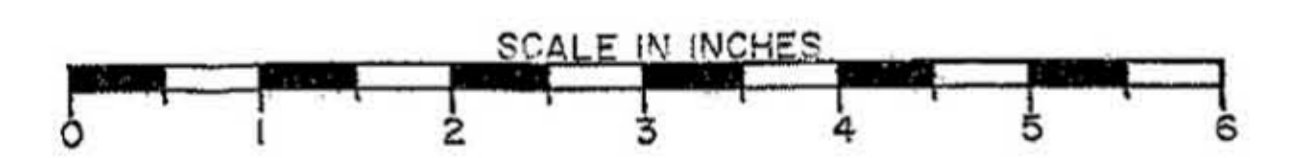
- Balsa 10 mm
- Balsa 5 mm
- Brass tube  $\phi$  3
- Sheeting Balsa 1 mm
- Ringscrew
- Brass tube  $\phi$  2.5
- Brass tube  $\phi$  2
- Brass tube  $\phi$  1.5



All ribs = Balsa 2,5 mm



RC-Scalemodel  
**FOCKE-WULF**  
Ta 154-A1, Moskito



Wingspan	1750 mm
Length	1400 mm
Engines	2 x 6 - 6,5cm (.35cu.in)
Channels	5
Weight	4600gr (10 lbs)

Note: Engine cowls, canopy are available from:  
H. Stamm  
Krautgartenstr. 11  
6336 Solms  
Germany

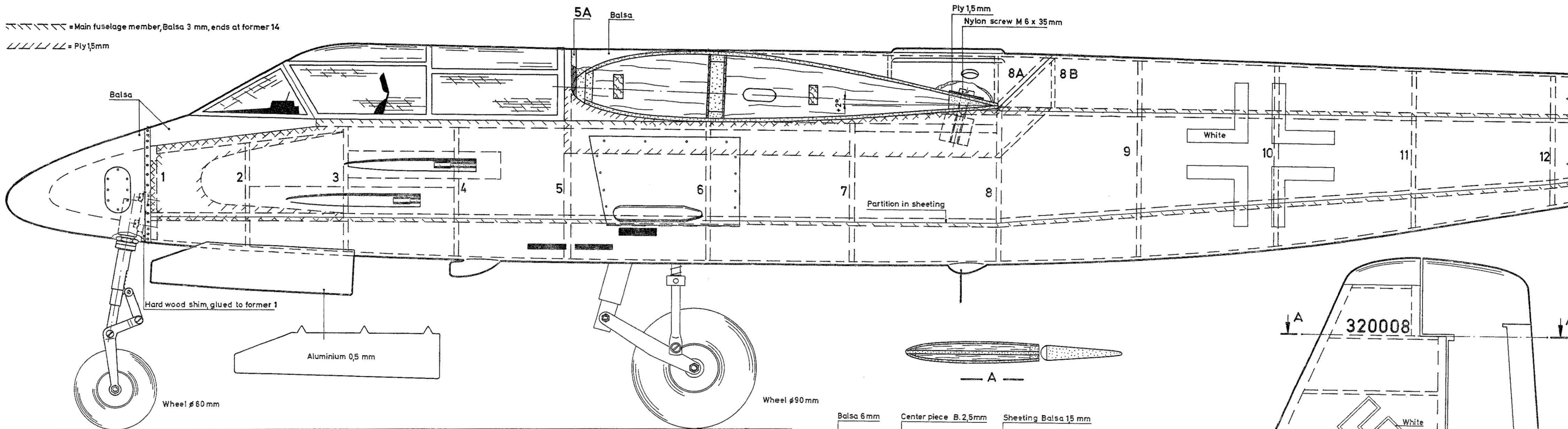
Designed by *Fr. Heine*  
Inked by *Fr. Heine*  
Translated by TELAVES



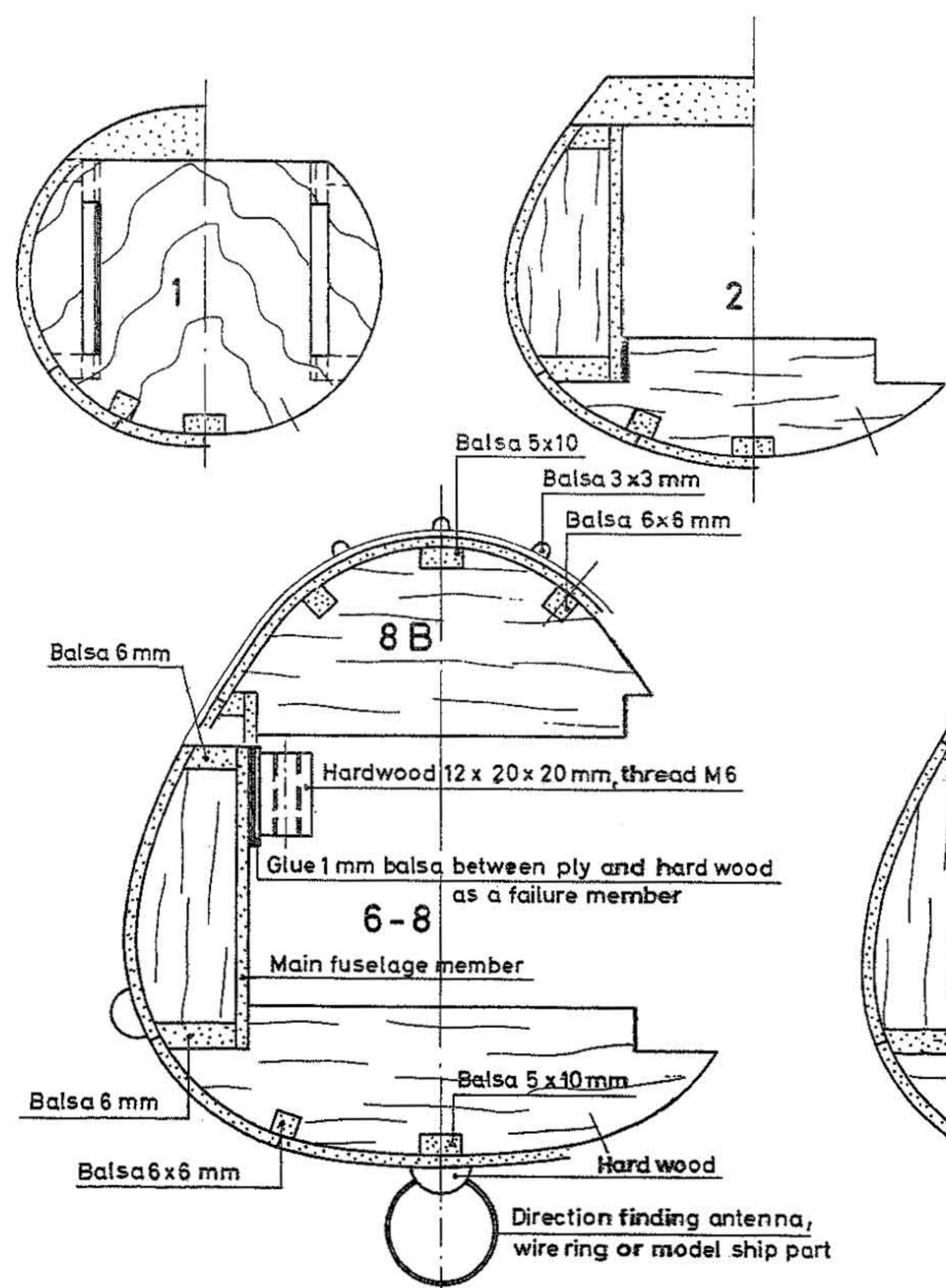
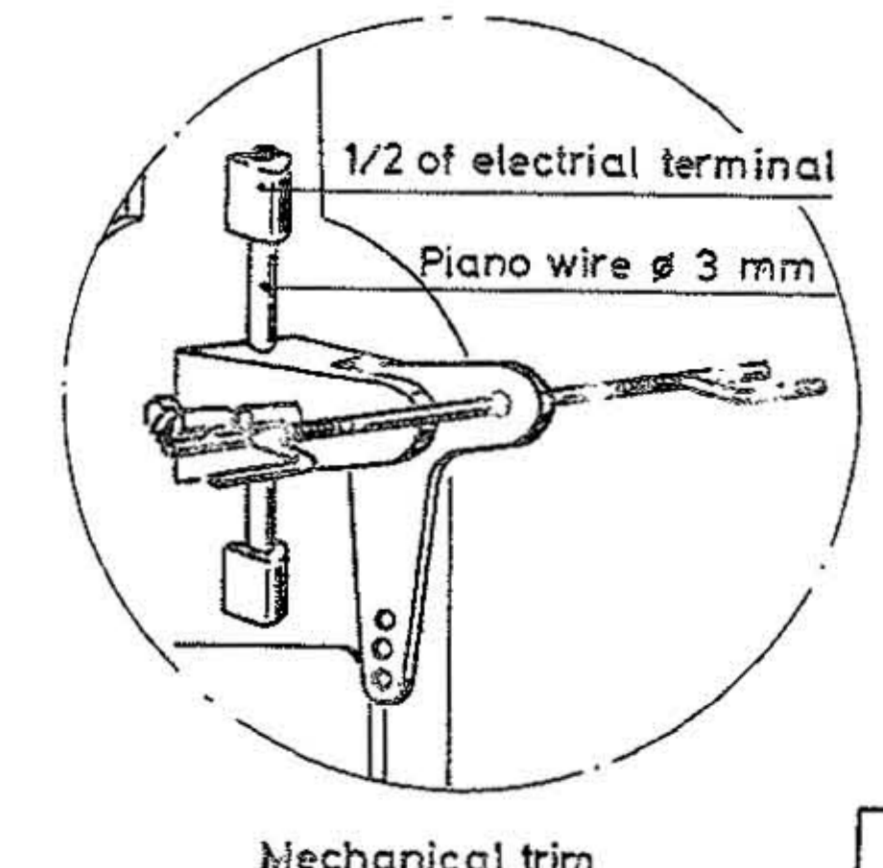
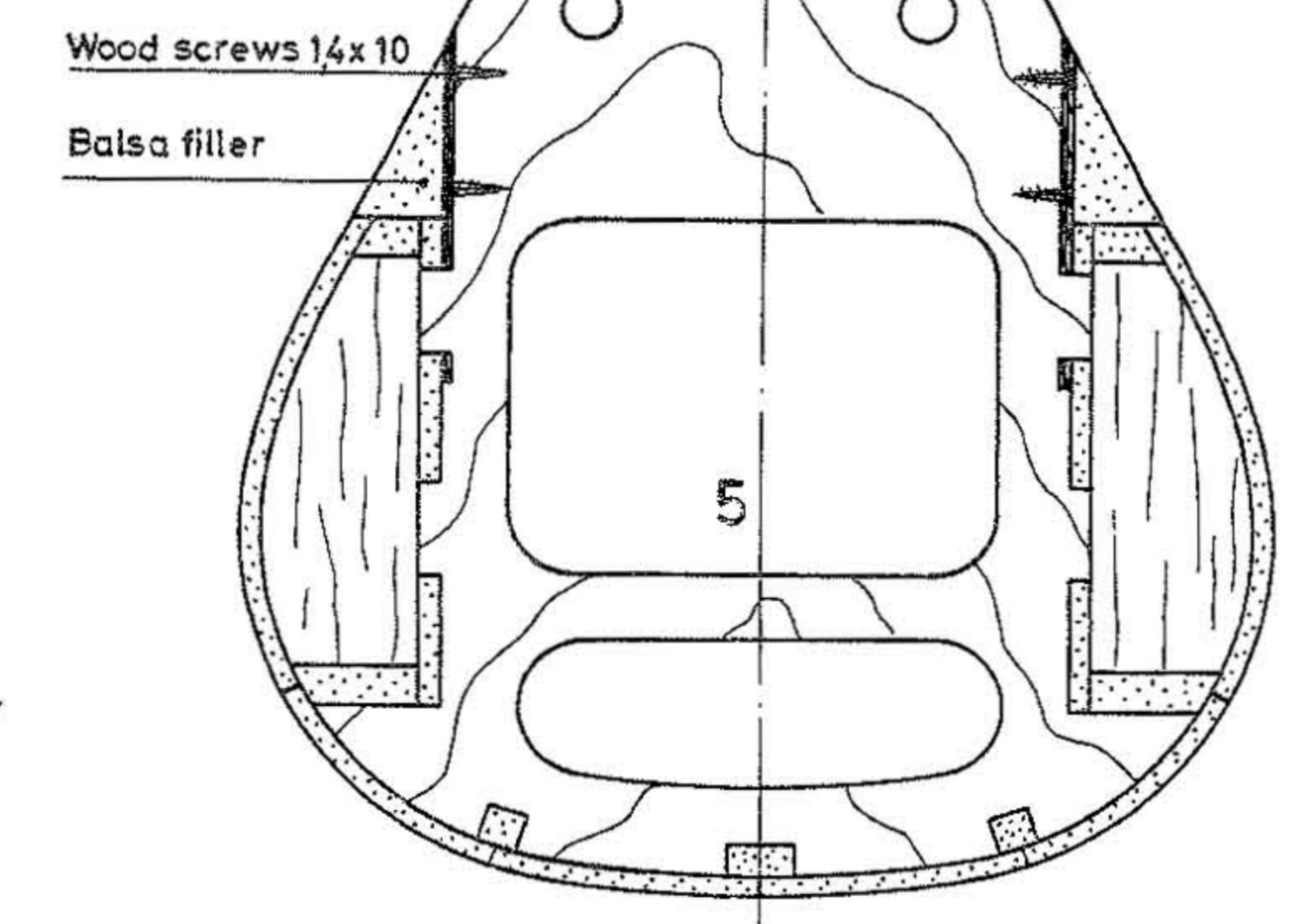
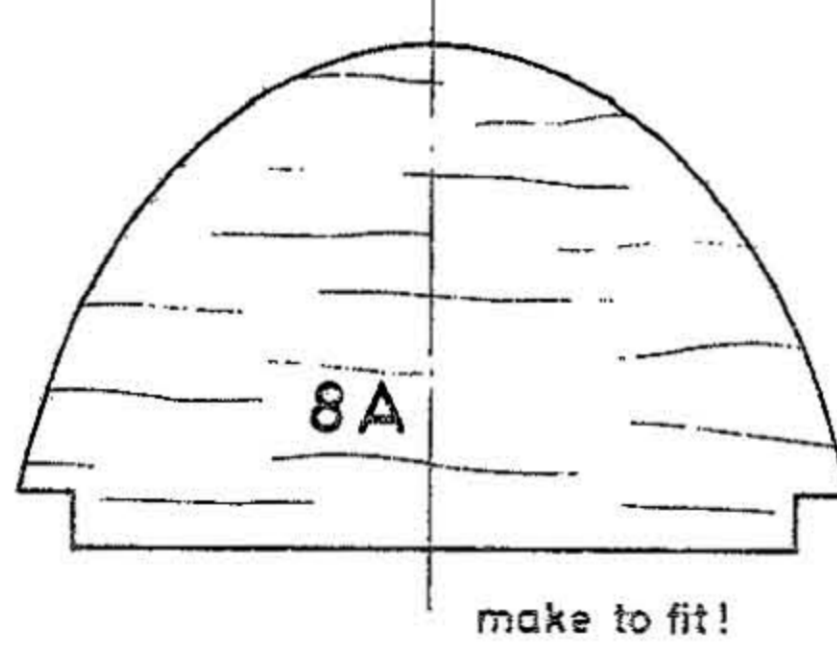
All dimensions in millimeters  
1mm  $\approx$  0.039 inches

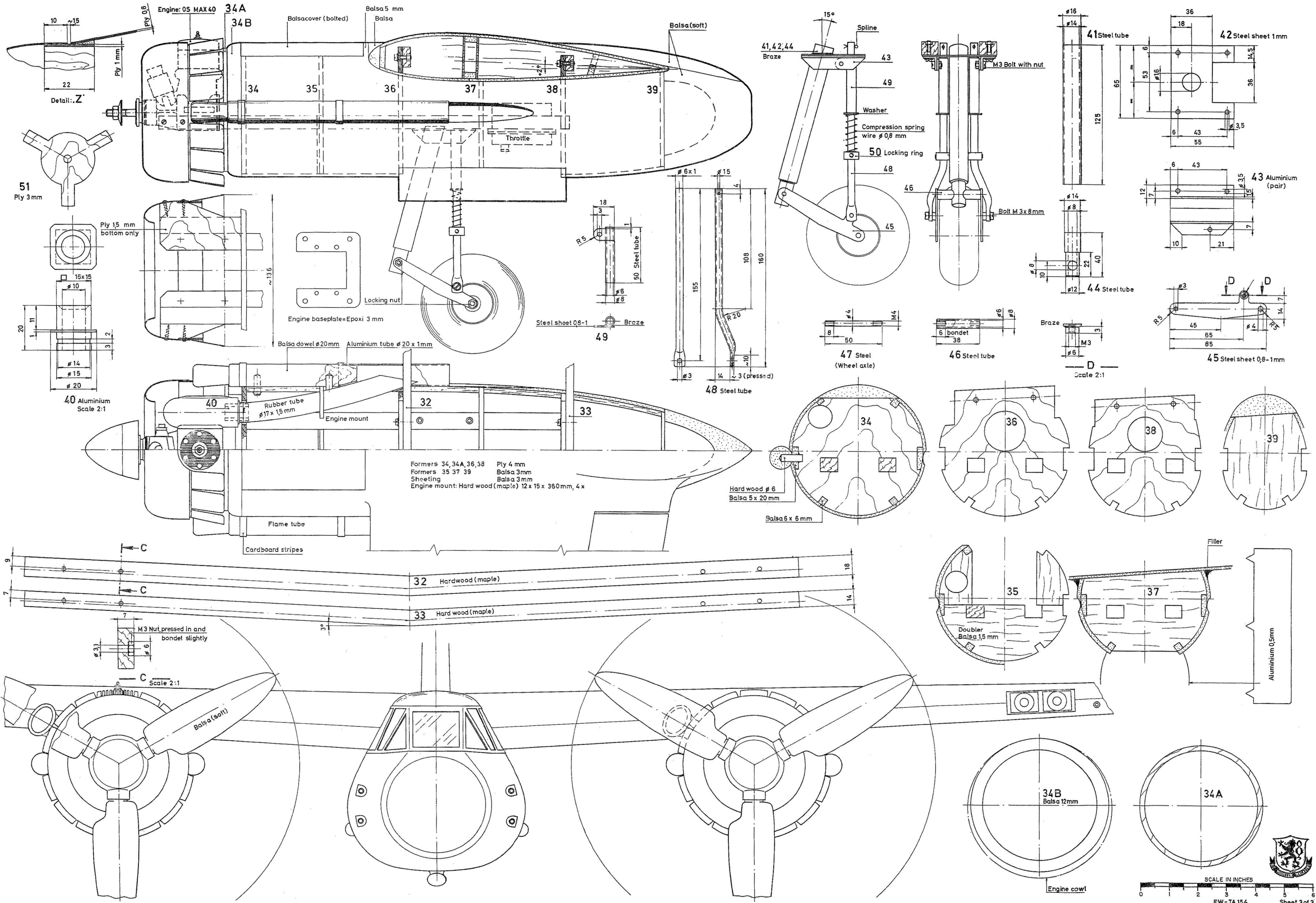
==== = Main fuselage member, Balsa 3 mm, ends at former 14

//// = Ply 1,5mm



Former 1+5 Ply 5 mm  
 Former 5A,13,14 Ply 4 mm  
 All other formers and segments: Balsa 3 mm  
 Sheeting: Balsa 3 mm





Engine: OS MAX 40

Balsacover (bolted)

Balsa 5 mm

Balsa (soft)

Detail: Z

41, 42, 44  
Braze

Washer  
Compression spring  
wire  $\phi$  0,8 mm

50 Locking ring

48

45

46

44 Steel tube

46 Steel tube

47 Steel  
(Wheel axle)

46 Steel tube

46 Steel tube

46 Steel tube

46 Steel tube

46 Steel tube

46 Steel tube

46 Steel tube

46 Steel tube

46 Steel tube

46 Steel tube

46 Steel tube

46 Steel tube

46 Steel tube

46 Steel tube

46 Steel tube

46 Steel tube

46 Steel tube

46 Steel tube

46 Steel tube

46 Steel tube

46 Steel tube

46 Steel tube

46 Steel tube

46 Steel tube

46 Steel tube

46 Steel tube

46 Steel tube

46 Steel tube

46 Steel tube

46 Steel tube

46 Steel tube

46 Steel tube

46 Steel tube

Formers 34, 34A, 36, 38 Ply 4 mm  
Formers 35, 37, 39 Balsa 3 mm  
Sheeting Balsa 3 mm  
Engine mount: Hard wood (maple) 12 x 15 x 360 mm, 4 x

Hard wood  $\phi$  6  
Balsa 5 x 20 mm

Balsa 6 x 6 mm

Cardboard stripes

32 Hardwood (maple)

33 Hardwood (maple)

M3 Nut, pressed in and  
bonded slightly

Scale 2:1

Balsa (soft)

34B  
Balsa 12mm

Engine cowling

34A

SCALE IN INCHES

FW-TA 154

Sheet 3 of 3

